







Recommendations

The following symbols indicate the functions and specifications of the GHM furniture presented in this section.

SYMBOLS

-  *recommended for city centres*
-  *recommended for parks and gardens*
-  *class 1*
-  *class 2*
-  *delivered assembled*
-  *installation by embedding*
-  *installation on finished ground*
-  *complies with the Order of 18 September 2012 relating to technical recommendations for accessibility of roads and public spaces.*



To confirm or assess your technical options, get in touch with your regional contacts or use the interactive GHM website (simulations, comparisons, news): www.ghm.fr

RUNGIS



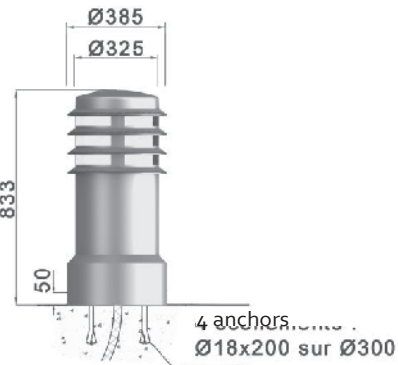
ROCHELONGUE



URBINO



DECORATIVE LUMINOUS BOLLARDS AND COLUMNS



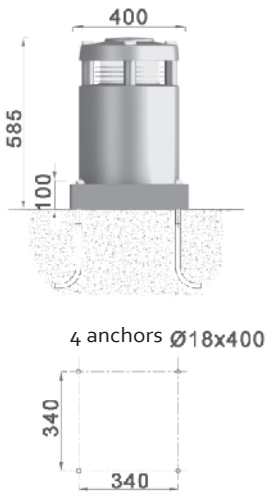
Design: T. LAVERNE



/// RUNGIS

Luminous decorative bollard

Painted, metallised cast iron bollard.
Methacrylate diffuser.
LED source as standard.
LED module colour temperature: 4100 K.



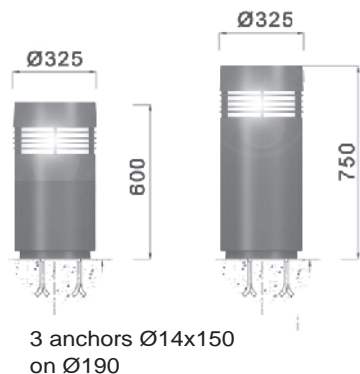
/// ROCHELONGUE

Luminous decorative bollard

Painted, metallised cast iron bollard.
Methacrylate diffuser.
LED source as standard.
LED module colour temperature: 4100 K.



Design: J.M. WILMOTTE



Design: J.M. WILMOTTE



/// URBINO LINE

Decorative luminous bollard

Painted, metallised cast iron bollard.
Methacrylate diffuser.
LED source as standard.
LED module colour temperature: 4100 K.

